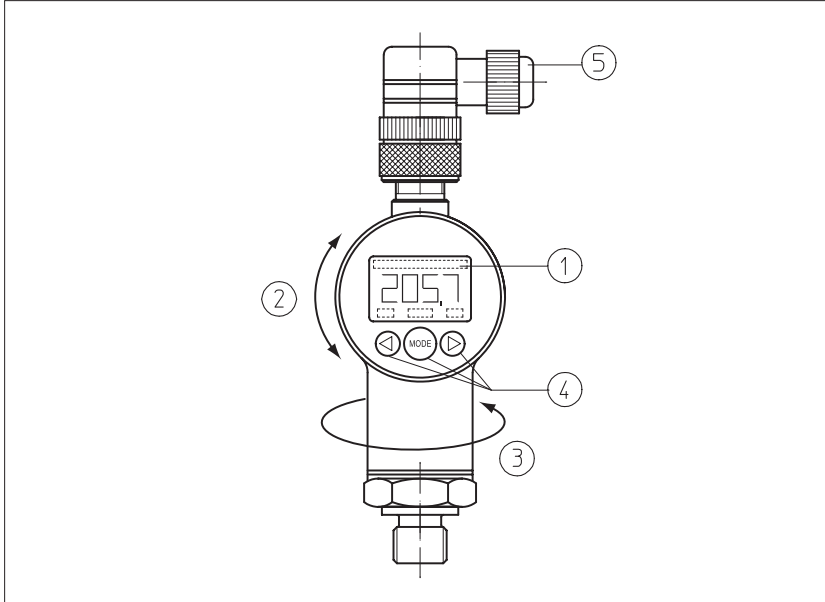


# Electronic pressure switches type E-DAP

digital, with integral digital display



E-DAP is a compact electronic pressure switch with integral digital display, available for 3 different pressure ranges up to 100, 250 and 400 bar.

It provides two independent output with electronic contacts which are triggered when the pressure in the hydraulic circuit reaches the set switching point. The two contacts return to its original status when the pressure in the hydraulic system decreases to the level corresponding to the reset (switching point minus hysteresis) value, settable on the instrument.

The working pressure is real time measured and monitored on a 4 digits display ① in bar or PSI or Mpa. The display can be rotated on 2 axes ②, ③ to optimize its visual position.

The functional parameters as the pressure switching point, hysteresis range, pressure measuring units and others additional functions can be easily set by the end user through proper programming keys ④ located on the front side of the instrument.

For detailed instructions about the use of the electronic pressure switch refer to the operating manual supplied with the instrument.

The connector type M12 ⑤ is 4 pin type with IP67 protection class.

<b>1</b>	<b>MODEL CODE</b>	<b>E-DAP</b>	-	<b>250</b>	/2	**
	Electronic pressure switch					Series number
	Pressure range:	<b>100</b> = 100 bar;	<b>250</b> = 250 bar;	<b>400</b> = 400 bar	<b>2</b> = 2 switching outputs	

## 2 MAIN CHARACTERISTICS OF ELECTRONIC PRESSURE SWITCH TYPE E-DAP

Model	E-DAP-100	E-DAP-250	E-DAP-400
Pressure range [bar]	1,6 ÷ 100	4 ÷ 250	6 ÷ 400
Overload pressure [bar]	200	500	800
Burst pressure [bar]	500	1000	2000
Display accuracy	± 0,5% FS typ.	± 1% FS max	
Repeatability	± 0,25 FS max		
N° of outputs	2		
Output type	PNP transistor output		
Switching current	1,2 A max per output (resistive load)		
Electrical life expectancy	> 100 million of cycles		
Power supply	9 ÷ 35 Vdc		
Current consumption	35 mA (inactive switching output)		
Ambient temperature range	nominal -25 ÷ +80°C - storage -40 ÷ +80°C		
Fluid temperature range	-25 ÷ +80 °C		
Thermal drift	zero ± 0,25% /10°C max; span ± 0,25% /10°C max		
Response time	10 ms		
Electromagnetic compatibility (EMC)			
Emission	EN 61000-6-3, EN 61000-6-4		
Immunity	EN 61000-6-1, EN 61000-6-2		
Vibration resistance	10 g / 0 ÷ 500 Hz (IEC 60068-2-6)		
Shock resistance	50 g / 11 ms (IEC 60068-2-29)		
Display	4 digit, 7 segment led, red, height 7 mm		
Hydraulic connection	G1/4" (DIN 3852 form E)		
Plastic connector	type M12x1 at 90°; 4 pins max 0,75 mm <sup>2</sup> , cable gland tipe PG7, cable max Ø 6 mm - DIN 43650-C Protection: IP 67 according to DIN 40050; Insulation: according to VDE 0110-C		
Materials	Sensor: stainless steel; Seals: FPM		
Protection class	IP 67		
Weight	120 g		

### 3 SWITCHING POINT AND HYSTERESIS ADJUSTABLE RANGE

MODEL	Switching point range [bar]	Hysteresis range (reset point) [bar]	Adjustable increment [bar]
E-DAP-100	1,6 ÷ 100	0,6 ÷ 99	0,2
E-DAP-250	4 ÷ 250	1,5 ÷ 247,5	0,5
E-DAP-400	6 ÷ 400	2 ÷ 396	1,0

### 4 FEATURES

- Two independent PNP transistor switching outputs,  $I_{max}$  up to 1,2 A per output
- Independent adjustment of switching point and hysteresis range
- Selection of the switching status NO or NC
- 4 digit display, adjustable on two axes without tools for best visual position
- Pressure reading selectable in bar or PSI or Mpa
- Selection of different display modes: real time pressure, peak pressure, switching point, reset point, display off.
- Other useful functions selectable by the end user
- Hydraulic connection G1/4"
- Electric connector M12x1 supplied with the pressure switch

### 6 INSTALLATION AND USE

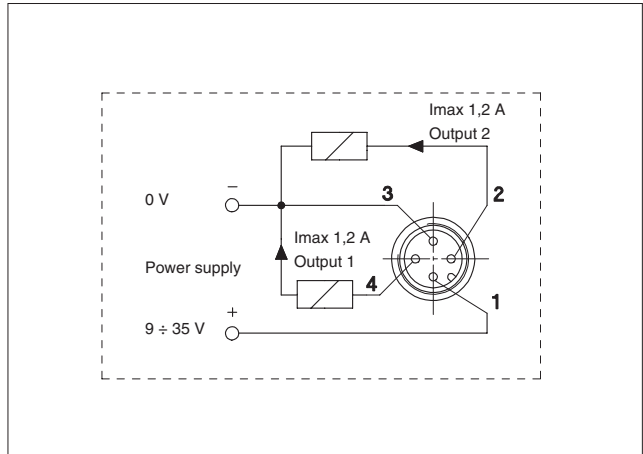
The E-DAP can be installed in any position.

Rotate the 4 digit display on two axes in order to provide the best visual orientation.

Connect the M12 electric connector according the wiring diagram in section 5.

Consult the operating manual, supplied with the electronic pressure switch, for the parameters setting.

### 5 WIRING DIAGRAM



### 6 DIMENSIONS [mm]

